

HKRSA Educational Video Program 2022

退休投資多面體

The Hong Kong Retirement Schemes Association (HKRSA) is launching an Educational Video Program with the aim to raise public awareness about pre- and post-retirement planning and promote financial literacy in Hong Kong. HKRSA invited speakers with different financial expertise to join the program and provide diverse and balanced views on the following topics. Each of the four episodes will be featured in an interview.

Episode 1 : Retirement Planning – How to manage MPF

退休計劃 – 如何管理強積金

Episode 2 : Saving and Investment for Retirement

退休儲蓄和投資

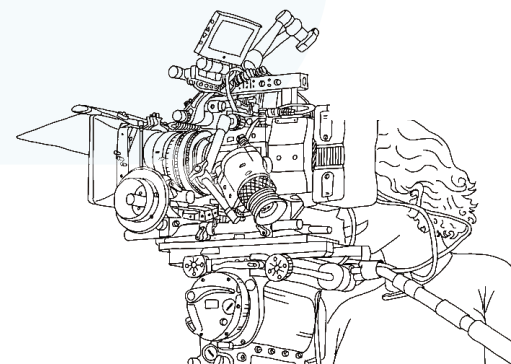
Episode 3 : MPF Investment Amid Rate Hikes and Inflation

加息與通脹升溫下的強積金投資攻略

Episode 4 : Innovate as Pension intersects with Technology

當積金遇上科技: 創新思維

Stay tuned for the interviews to be posted on HKRSA website
www.hkrsa.org.hk , [Facebook](#) and [LinkedIn](#)



Episode 1

第一集

Retirement Planning – How to manage MPF

退休計劃 - 如何管理強積金



恒生指數

HANG SENG INDEXES



Speaker

趙永輝 Gary CHIU

恒生指數公司指數策略研究主管
Head of Index Strategic Research
Hang Seng Indexes Company

Interviewer

梁碧靄 Penny LEUNG

香港退休計劃協會活動籌組小組
委員會成員
Member of Profile & Events Sub-
committee, HKRSA



Episode 2

第二集

Saving and Investment for Retirement

退休儲蓄和投資

Schroders
施羅德投資



Speaker

余康如 Chloe SHEA

施羅德投資管理(香港)有限公司
多元化資產投資總監
Investment Director, Multi-Asset,
Schroder Investment Management (HK)
Ltd

Interviewer

徐明慧 Vivian CHUI

香港退休計劃協會活動籌組小組
委員會成員
Member of Profile & Events Sub-
committee, HKRSA



Episode 3

第三集

MPF Investment Amid Rate Hikes and Inflation

加息與通脹升溫下的強積金投資攻略



泰康資產(香港)
Taikang Asset (HK)



Speaker

施銘火 Raymond SZE

泰康資產管理(香港)有限公司執行總監
產品及銷售部主管
Executive Director,
Head of Product, Sales & Marketing
Taikang Asset Management
(Hong Kong) Company Limited

Interviewer

劉嘉時 Ka Shi LAU

香港退休計劃協會行政委員會成員及
兩岸四地研討會召集人
Executive Committee Member &
Convenor of Cross Straits Forum, HKRSA



Episode 4

第四集

Innovate as Pension intersects with Technology

當積金遇上科技: 創新思維



Manulife 宏利



Speaker

辛建國 Darron SUN

亞洲金融科技師協會
積金易科技委員會副主席
Vice Chairman
Institute of Financial Technologists of
Asia (IFTA)

Interviewer

黃德治 Tak Chi WONG

宏利人壽保險(國際)有限公司
香港退休業務部助理副總裁兼成員體驗及
客戶關係主管
AVP, Head of Participant Experience and
Customer Relations, HK Retirement
Manulife (International) Limited

